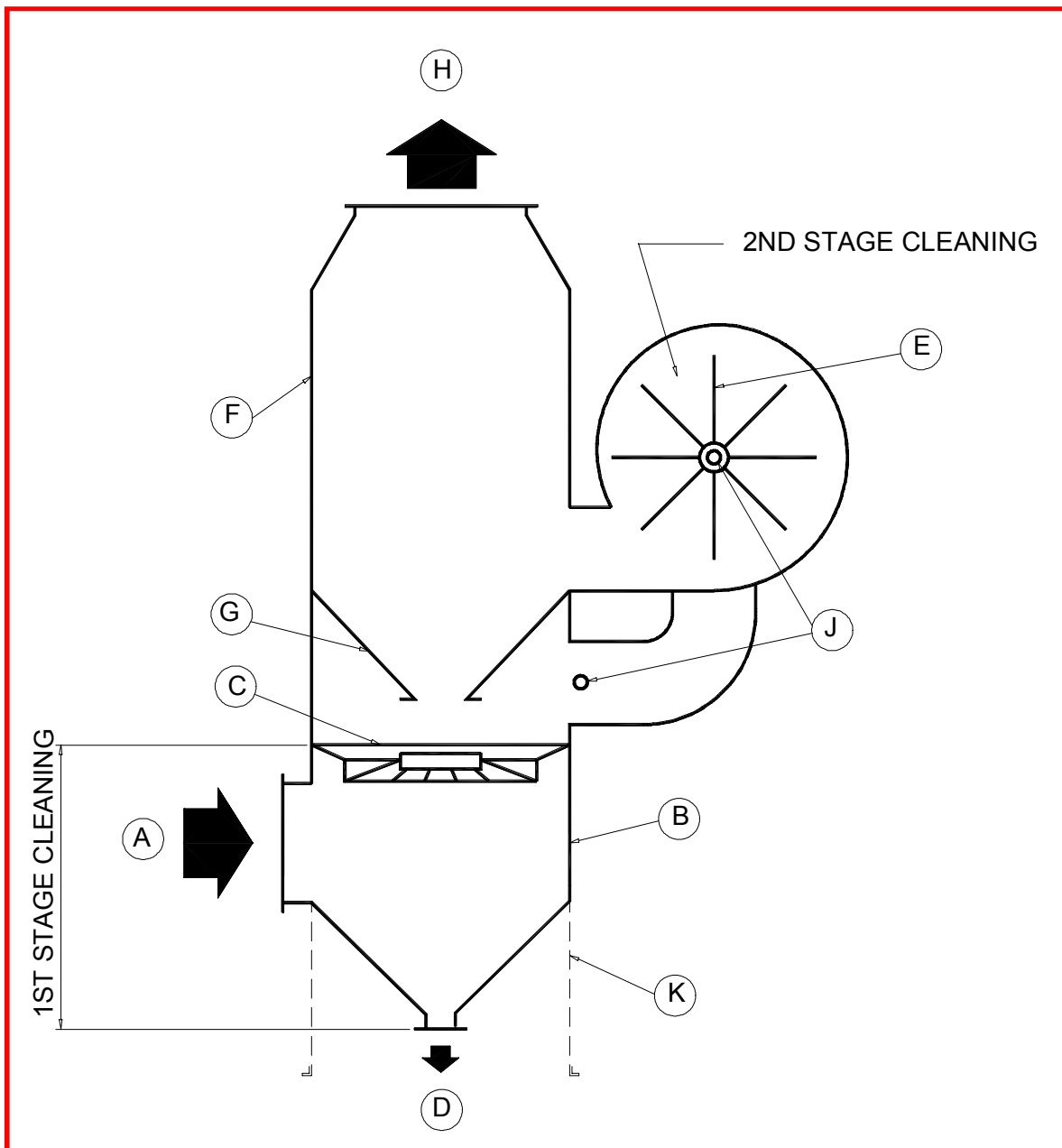


## WS Type II Particulate Scrubber



(A) Tangential Gas Inlet

(B) Pre-scrubbing Chamber

(C) Intermediate Particulate Vane

(D) Liquid Discharge

(E) Wet Fan

(F) Separator

(G) Internal Cone

(H) Clean Exhaust Discharge

(J) Scrubbing Liquid Inlet

(K) Optional Support Skirt