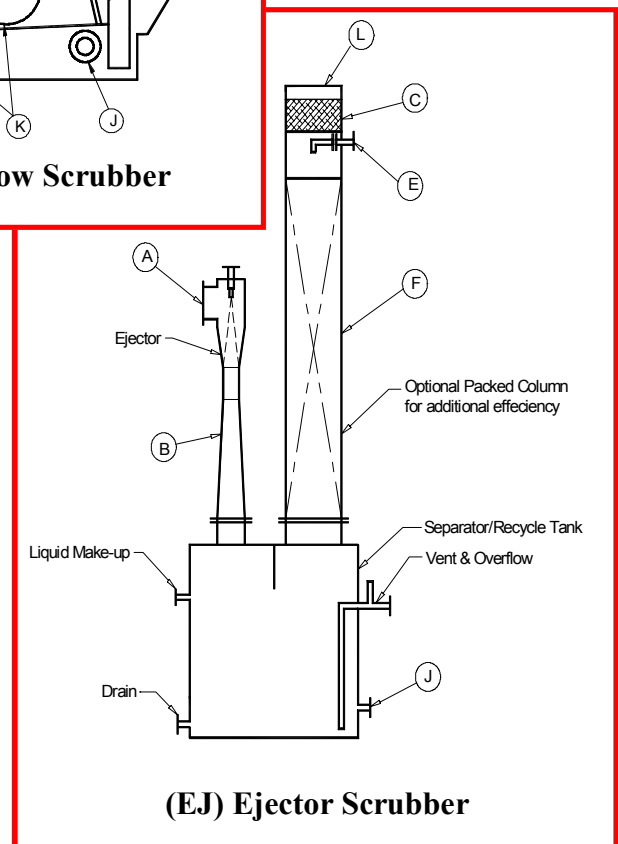
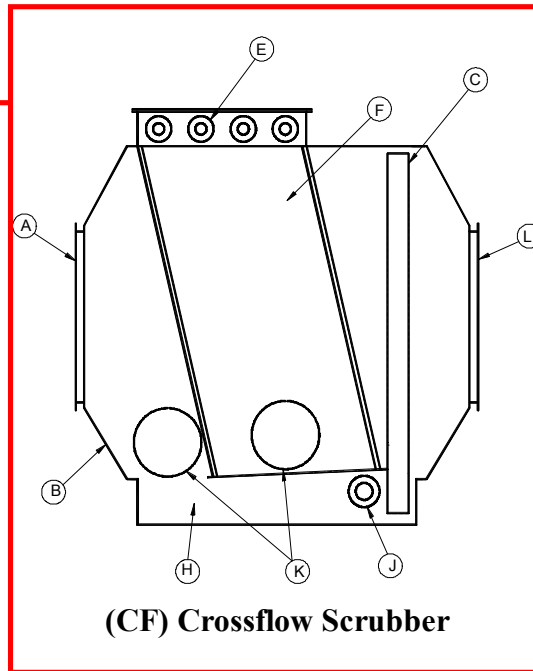
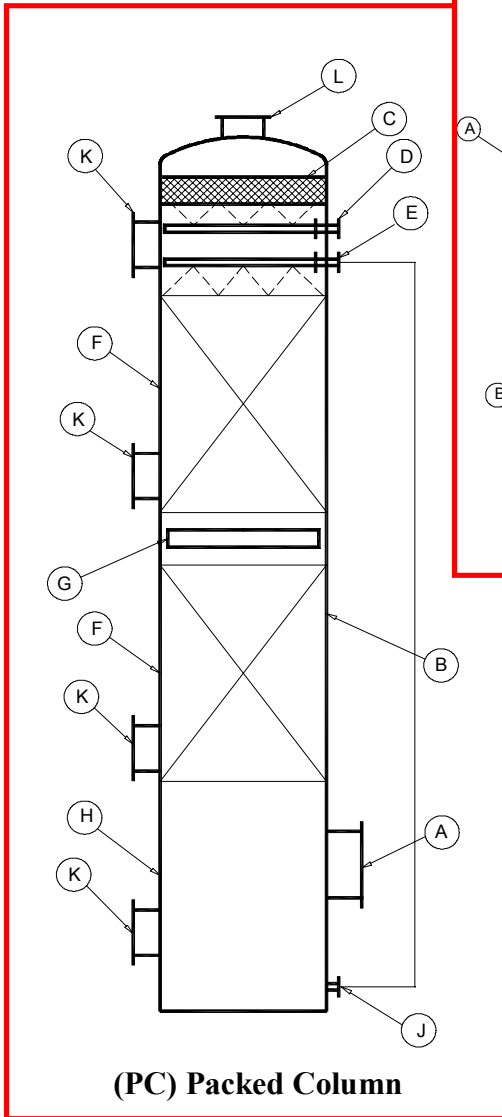


Fume Scrubbers



(A) Contaminated Fume Inlet

(B) Scrubber Shell

(C) Mist Eliminator

(D) Mist Eliminator Fresh Water Flush

(E) Scrubbing Media Liquid Distributor

(F) Packing Section

(G) Liquid Redistributor (If 2 or more packed beds)

(H) Integral Sump

(J) Liquid Recirculation

(K) Access Manways

(L) Scrubber Gas Outlet